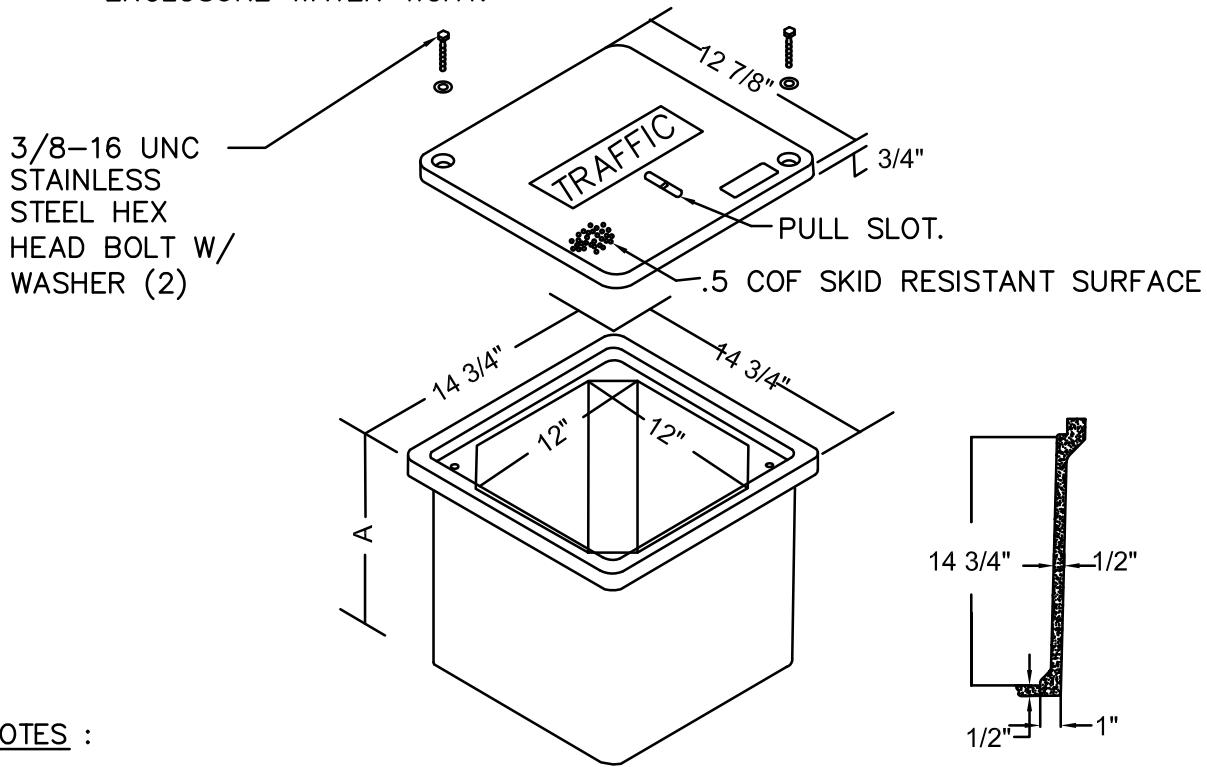


COVERS

DESCRIPTION	PART NO.	WEIGHT #	DESIGN/TEST LOAD #	ANSI TIER*
W/2 BOLTS	PC1212CA00	12 (5.4 kg)	8,000/12,000	8
GASKETED W/4 BOLTS	PC1212CG00	12 (5.4 kg)	8,000/12,000	8
NO BOLTS	PC1212WA00	12 (5.4 kg)	8,000/12,000	8
HEAVY DUTY W/2 BOLTS	PC1212HA00	12 (5.4 kg)	15,000/22,500	15
GASKETED HEAVY DUTY W/4 BOLTS	PC1212HG00	12 (5.4 kg)	15,000/22,500	15

\* GASKETED COVERS AND BOLT GROMMETS MUST BE USED WITH A GASKETED BOX. GASKETS REDUCE THE INFLOW OF FLUIDS BUT DO NOT MAKE THE ENCLOSURE WATER TIGHT.



NOTES :

1. ALL CONDUIT SHALL BE 2" GALVANIZED STEEL OR PVC UNLESS SPECIFIED ON THE PLANS.
2. ALL CONDUIT SHALL HAVE 2" SEPARATION AND WITH GROUNDING END BUSHING INSTALLED.
3. JUNCTION BOX SHALL HAVE MIN. 4" CLEARANCE NEAR THE CURB. WIDTH TO VARY WITH MATERIAL USED.
4. LOGO TEXT ON COVER SHALL SAY "TRAFFIC"

BOXES (STACKABLE WITH SELF ALIGNIN, REPLACE EZ-NUT)

DESCRIPTION	PART NO.	WEIGHT #	DIMENSION A	DESIGN/TEST LOAD #	ANSI TIER*
OPEN BOTTOM	PC1212BA12	36 (16 kg)	12 3/4" (324mm)	15,000/22,500	15

DIMENSIONS & WEIGHTS IN PARENTHESES ARE METRIC EQUIVALENT.

\* LOADINGS COMPLY WITH ANSCI/SCTE 77

SMALL JUNCTION BOX

REVISION & DATE



ARLINGTON COUNTY, VIRGINIA  
DEPARTMENT OF ENVIRONMENTAL SERVICES

DRAWING NO.  
**61-01**  
FORMERLY TS4-4