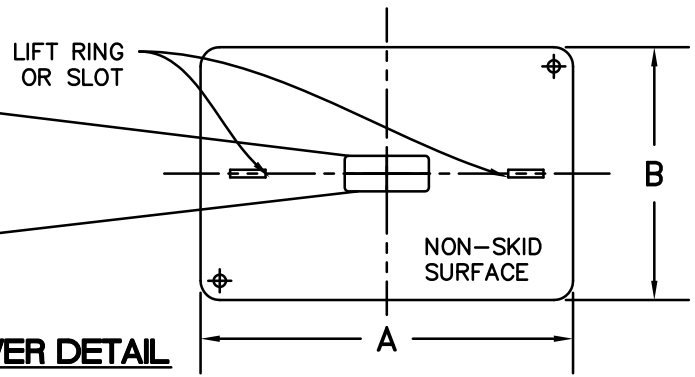


ARLINGTON COUNTY
TRANSPORTATION

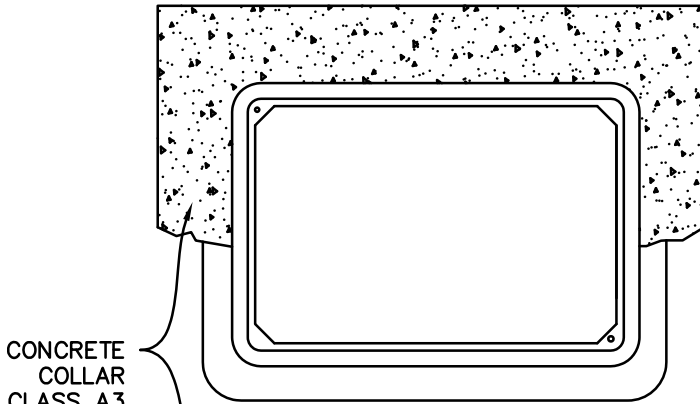
FONT: 1/2 INCH MINIMUM,
SHARP FACE GOTHIC
ACROSS TWO LINES

COVER DETAIL



STANDARD	DIMENSIONS		
	A	B	C
TYPE-3*	24"	36"	36"
TYPE-4	30"	48"	36"
TYPE-5	36"	60"	36"

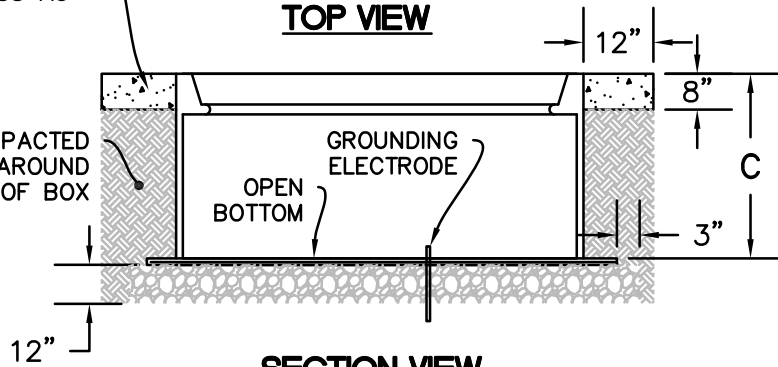
*VDOT STD JB-S3 MAY BE SUBSTITUTED FOR SIGNAL JUNCTION BOXES ONLY (NOT FOR COMMUNICATIONS)



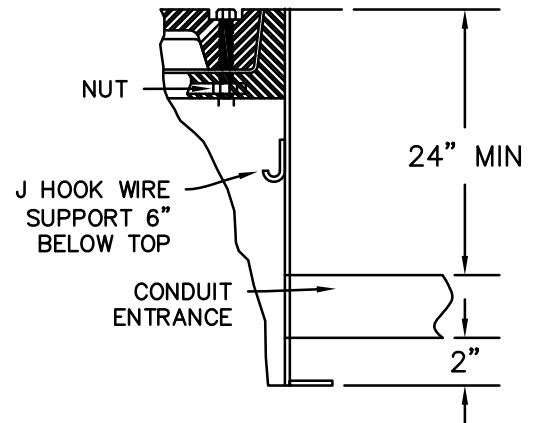
TOP VIEW

CONCRETE COLLAR CLASS A3

COMPACTED SOIL AROUND SIDES OF BOX



SECTION VIEW



SECTION A-A

NOTES:

- JUNCTION BOXES SHALL BE STRAIGHT WALL IN DESIGN.
- BELL ENDS SHALL BE INSTALLED ON THE ENDS OF PVC CONDUITS.
- GROUNDING BUSHINGS SHALL BE INSTALLED ON THE ENDS OF METAL CONDUITS.
- BELL ENDS AND BUSHINGS SHALL BE PLUGGED TO PREVENT MOISTURE AND RODENT ENTRY.
- CONDUIT ENTRANCES SHALL BE LOCATED AS SHOWN ON THE PLANS.
- THE COVER SHALL HAVE A NON-SKID SURFACE WITH LETTERS CAST IN THE DEPRESSION ON TOP.
- IF NOT OTHERWISE SPECIFIED, CONDUITS SHALL ENTER THE OPPOSITE ENDS OF THE JUNCTION BOX WITH THE JUNCTION BOX ORIENTED WITH THE LONG AXIS PARALLEL TO THE CONDUIT PATH.
- ALL JUNCTION BOXES SHALL BE INSTALL WITH AN R.U.S. APPROVED GROUNDING ELECTRODE WITH BRONZE UNIT.
- TWO RECESSED 3/8"-16 S.S. HEX HEAD BOLTS ARE REQUIRED FOR EACH COVER.
- CONDUITS SHALL EXTEND 1" TO 3" MAX INTO THE INSIDE WALL OF THE JUNCTION BOX.
- THE JUNCTION BOX MAY BE A TWO PIECE DESIGN WITH THE TOP SECTION NO LESS THAN 17" IN DEPTH.
- VOIDS RESULTING FROM THE ENTRANCE TO THE JUNCTION BOX SHALL BE COMPLETELY FILLED WITH AN APPROVED MATERIAL.
- PLUG CONDUIT ENDS WITH CONDUIT PLUGS TO PROTECT CONDUIT FROM DEBRIS AND WATER.
- TYPE-4 AND TYPE-5 SHALL HAVE SPLIT LIDS, EACH SIDE WITH CHARACTERISTICS OF COVER DETAIL ABOVE.
- ONLY ANSI/SCTE 77 TIER 15 OR TIER 22 HANDHOLES ARE PERMITTED.

**LARGE JUNCTION BOX FOR
NON-DELIBERATE TRAFFIC USE**

REVISION & DATE



ARLINGTON COUNTY, VIRGINIA
DEPARTMENT OF ENVIRONMENTAL SERVICES

DRAWING NO.
61-04