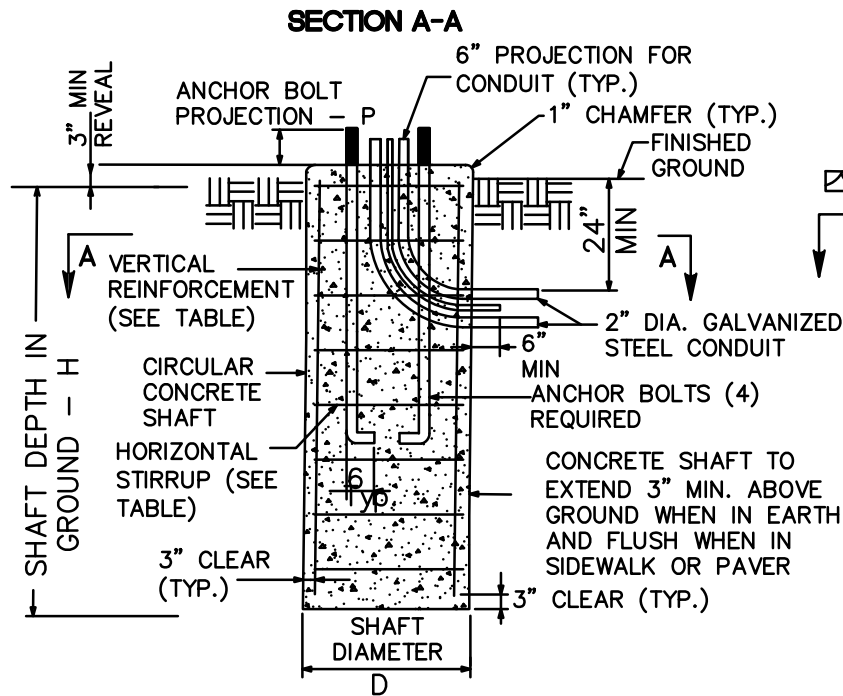
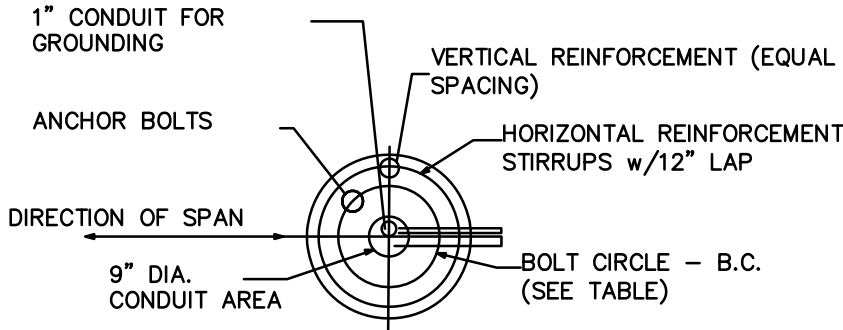


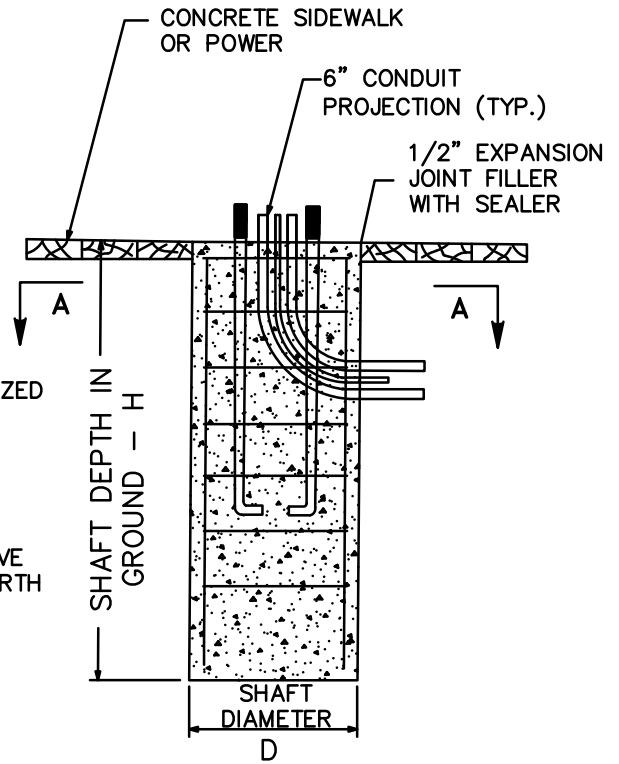
ARM LENGTH OR POLE SIZE	ANCHOR BOLT SIZE AND LENGTH	BOLT CIRCLE (B.C.)	ANCHOR BOLT PROJECTION ABOVE FINISHED FOUNDATION (P)	SHAFT DIAMETER (D)
12" X 32'	1 1/2 DIA. X 60"	22"	8 1/2"	4' - 0"
12" X 32'	1 1/2 DIA. X 60"	16'	6 1/4"	3' - 0"
FOUNDATION SIZE AND REINFORCEMENT				
ARM LENGTH OR POLE SIZE	SHAFT DEPTH IN GROUND (H)	VERTICAL REINFORCEMENT	HORIZONTAL STIRRUPS	CONCRETE QUANTITY (C.Y.)
12" X 32'	10' - 0"	14 - #10	#4 @ 12" C/C	5.0
12" X 32'	8' - 0"	8 - #10	#4 @ 12" C/C	3.0

NOTES:

1. MINIMUM 15'-0" CLEARANCE SHALL BE MAINTAINED BETWEEN FINISHED ROADWAY LEVEL AND LOWEST POINT OF SIGNAL HEAD ASSEMBLY WHEN MAST ARM IS FULL LOADED.
2. ANCHOR BOLTS, NUTS AND BOLT CIRCLE SHALL BE FURNISHED WITH POLE.
3. NO MORTAR, GROUT, OR CONCRETE SHALL BE PLACED BETWEEN TOP OF FURNISHED FOUNDATION AND BOTTOM OF BASE PLATE.
4. MISALIGNMENT OF ANCHOR BOLTS SHALL BE LIMITED TO 1H:40V.
5. EXPOSED FOUNDATION SURFACES SHALL BE FINISHED SMOOTH.
6. CONCRETE STRENGTH AT 28 DAYS SHALL BE 3 KSI MINIMUM.
7. YIELD STRENGTH OF STEEL REINFORCEMENT BARS SHALL BE 60 KSI.



**ELEVATION TYPE 1
NON-PAVED AREA**



**ELEVATION TYPE 2
PAVED AREA**

STRAIN POLE FOUNDATION

REVISION & DATE



ARLINGTON COUNTY, VIRGINIA
DEPARTMENT OF ENVIRONMENTAL SERVICES

DRAWING NO.
66-03
FORMERLY TS4-2