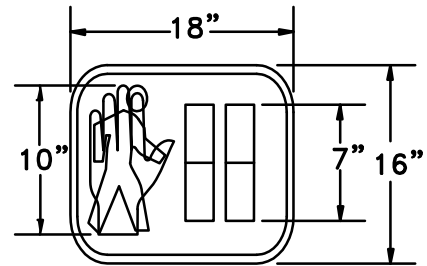


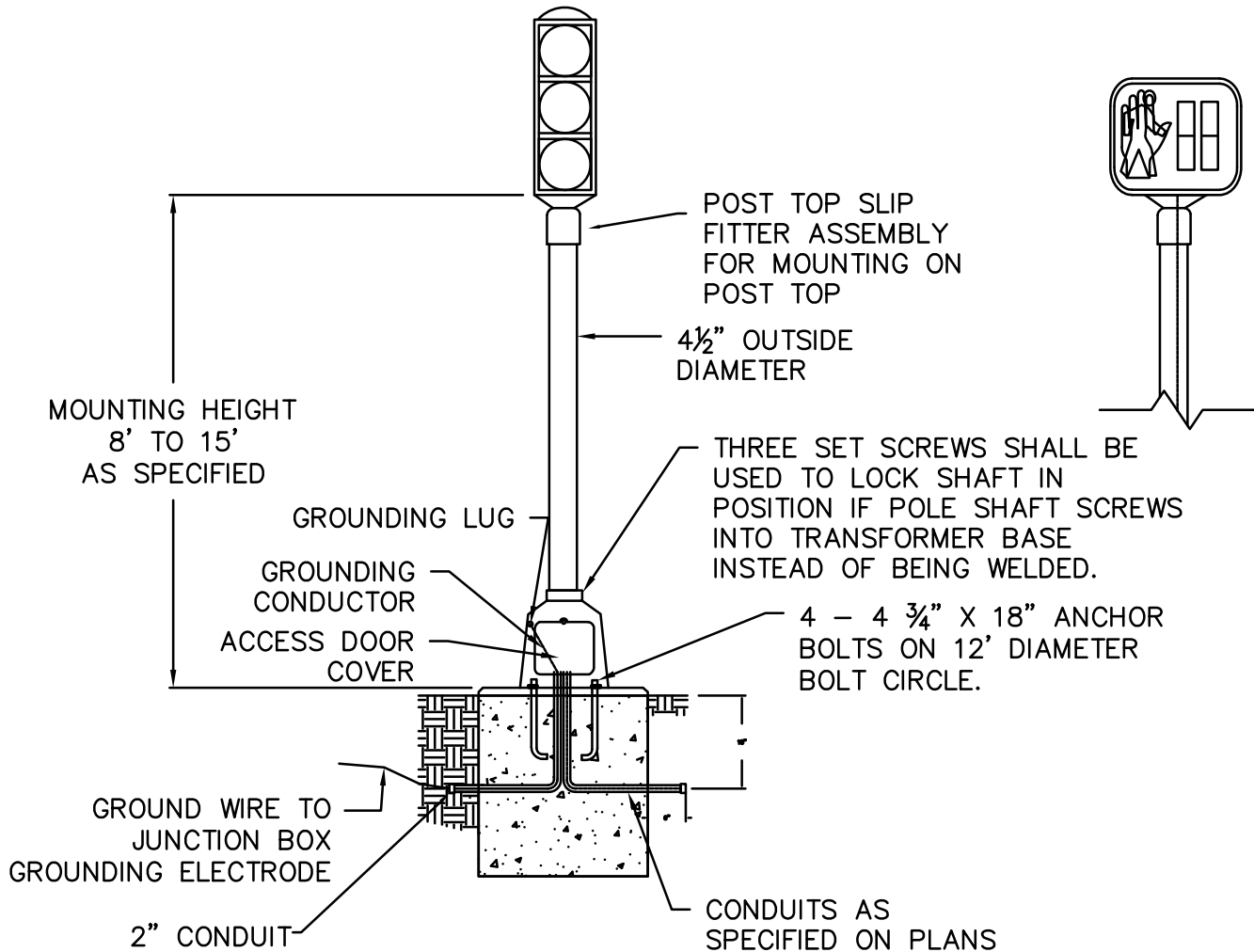
PEDESTRIAN SIGNAL HEAD

NOTES:

1. PEDESTRIAN SIGNAL HEADS SHALL BE LED, COUNTDOWN STYLE PER SPECIFICATIONS.
2. FOR ROUND STEEL POLES, PEDESTRIAN SIGNAL HEADS SHALL BE DRILLED AND BOLTED TO THE POLE UNLESS OTHERWISE APPROVED BY THE COUNTY.
3. MOUNTING BRACKETS FOR PEDESTRIAN SIGNAL HEAD SHALL MATCH THE COLOR OF THE PEDESTRIAN SIGNAL HEAD SIGN.



PEDESTAL POLE MOUNTING DETAILS



PEDESTAL POLE MOUNTING & PEDESTRIAN SIGNALS

REVISION & DATE



ARLINGTON COUNTY, VIRGINIA
DEPARTMENT OF ENVIRONMENTAL SERVICES

DRAWING NO.
67-01
FORMERLY TS7-5